



## iBoat

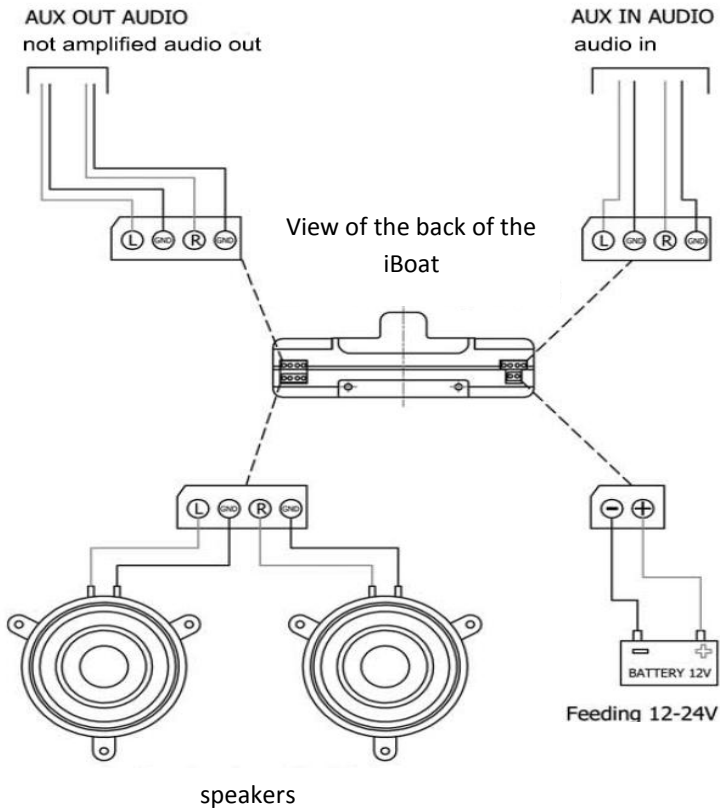
Amplified Docking Station for iPods<sup>®</sup>. Auxiliary Input available to accommodate direct audio input from other audio resources/media players. Vibration-proof design. Low power consumption. Can be connected directly to speakers and volume control can be managed independently from the iPod<sup>®</sup>. It can be interfaced with other audio systems and it can function as a in multi-room system when linked with other iBoat DHP docking station.

### FEATURES

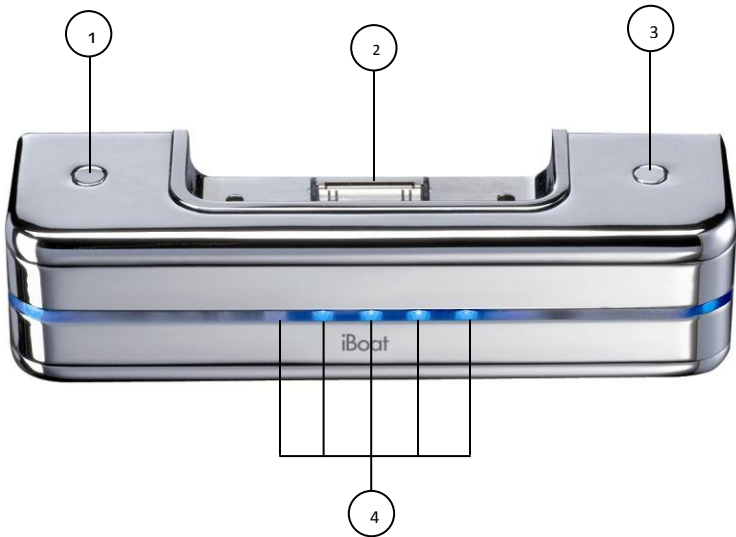
- Auto Power On/Off
- Reverse polarity and Overload protection circuitry
- Front LED lights for volume and balance indicators
- 1 AUX input
- 1 AUX output
- iPod<sup>®</sup> and iPhone<sup>®</sup> recharge capability

- In multi-room mode: the signal of one iPod® can be received in different rooms equipped with other iBoat DHP docking station.
- Cables included
- Speaker cables included
- iPod® adapter cup included
- Available in chrome color only

## INSTALLATION DIAGRAM



## LOCATION OF CONTROLS



1. Volume UP/Balance Left
2. Docking Station
3. Volume DOWN/Balance Right
4. LED Lights – volume/balance indicator

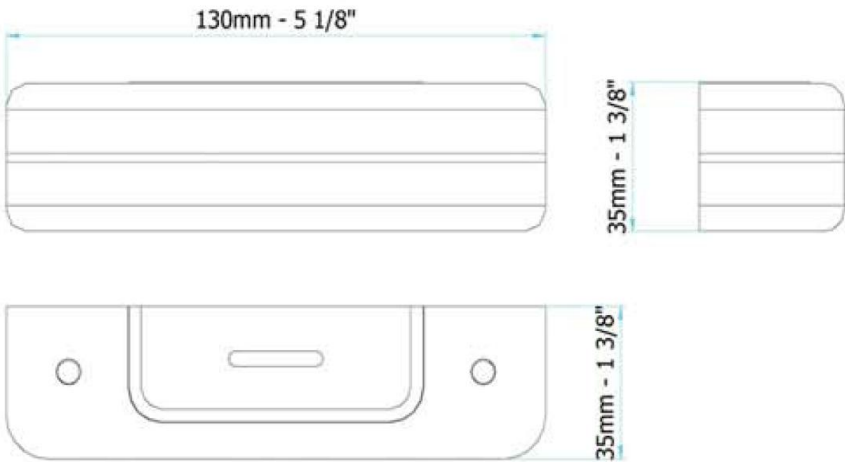
## OPERATION

- Turn on your iPod® then select a playlist or category list.
- Connect iPod® to the iBoat docking station. The iBoat will play tracks from a playlist or category automatically and continuously.
- Press and hold button (1) and (3) to switch from volume to balance control. To switch back to

volume control, press and hold button (1) and (3) again.

- Press button (3) to increase volume or to fade to the right
- Press button (1) to decrease volume or to fade to the left
- iBoat will automatically turned off if idle for 90 seconds

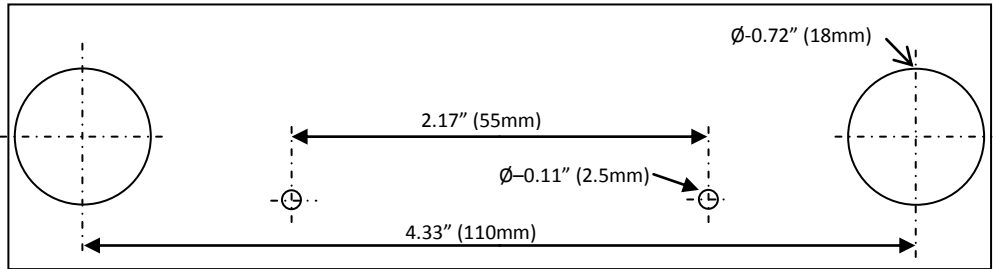
## OVERALL DIMENSIONS



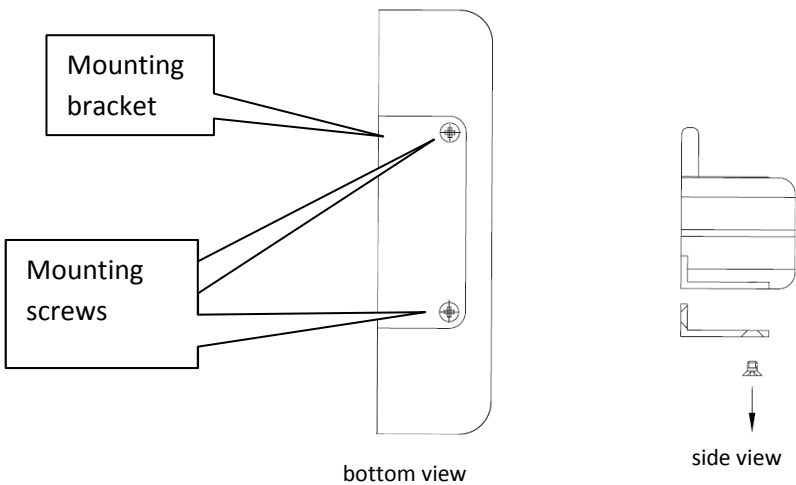
## MOUNTING INSTRUCTION

1. Find a suitable location (preferably dry location, not exposed to water) . Using the mounting template provided, drill holes for the wires and mounting screws.

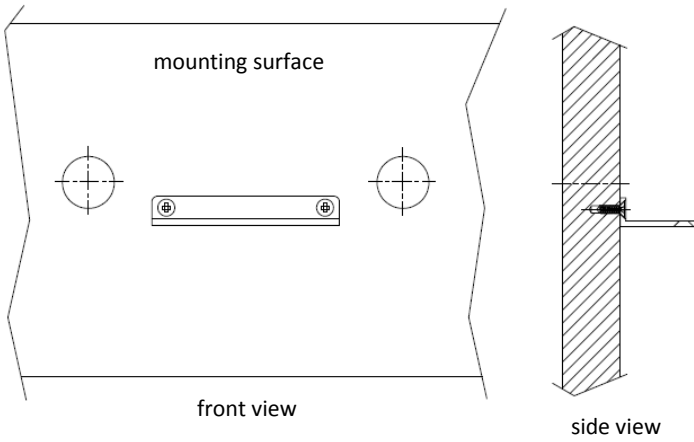
MOUNTING TEMPLATE (Scale 1:1)



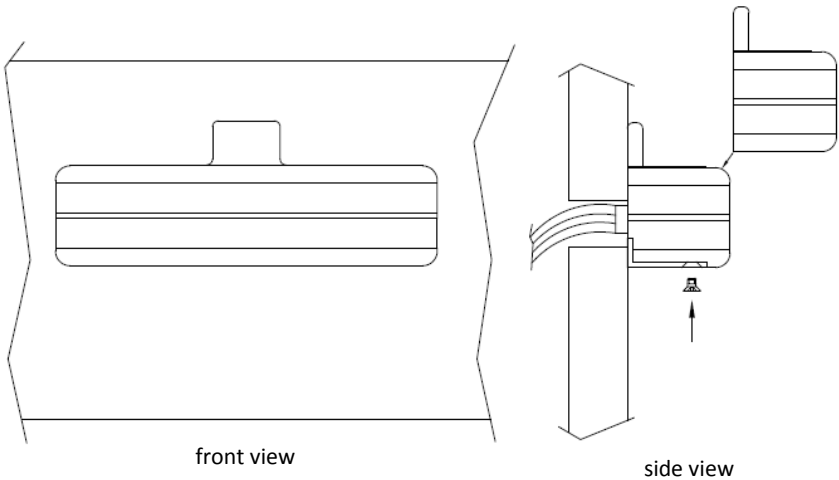
2. Separate the mounting bracket from the iBoat unit by removing the mounting screws



3. Install mounting bracket to the mounting surface



4. Re-attach iBoat unit to the mounting bracket.



## **SPECIFICATIONS**

- Battery Supply DC = 8.5VDC(min)/17 VDC
- Idle Current = 5.5mA 12VDC LED off
- Maximum Rating Consumption (2 x 10W) = 1.66Amp 12VDC
- Maximum Volume Indicator = 5 LED
- Audio Output Impedance = 6 ohms up to 16 ohms
- Efficiency Percentage = 86% 8 ohms

## **MAINTENANCE**

- Make sure iBoat will not to be exposed directly to any water or moisture
- Only clean iBoat with cloth dampened with water. Do not use any detergents or cleaning fluids
- Always use extra care when connecting or disconnecting your iPod®

## **WARRANTY INFORMATION**

This unit is warranted to be free of defects in material and workmanship for a period of one year. Warranty is subject to proper installation and operation within the published specifications. Except as provided below, Poly-Planar will repair or replace at its discretion, any product returned prepaid to our facility and determined to be defective. Poly-Planar is not liable for consequential damages

## **LIMITS OF LIABILITY**

Poly-Planar warranty does not cover damage occurred in transit, accident, abuse, misuse, negligence, fire, flood, lightning or unauthorized service. Poly-Planar assumes no responsibility for damages incurred during installation of this equipment. This warranty covers normal consumer use only. In no event shall Poly-Planar be liable for special, incidental, or consequential damages.

To obtain service under this warranty, please call Poly-Planar for a RETURN AUTHORIZATION NUMBER.

***poly-planar, inc.***

Maryland USA

(410) 761-4000

[www.polyplanar.com](http://www.polyplanar.com)