



poly-planar[®]

WATERPROOF MARINE AUDIO SYSTEMS



iBoat Surface Mount

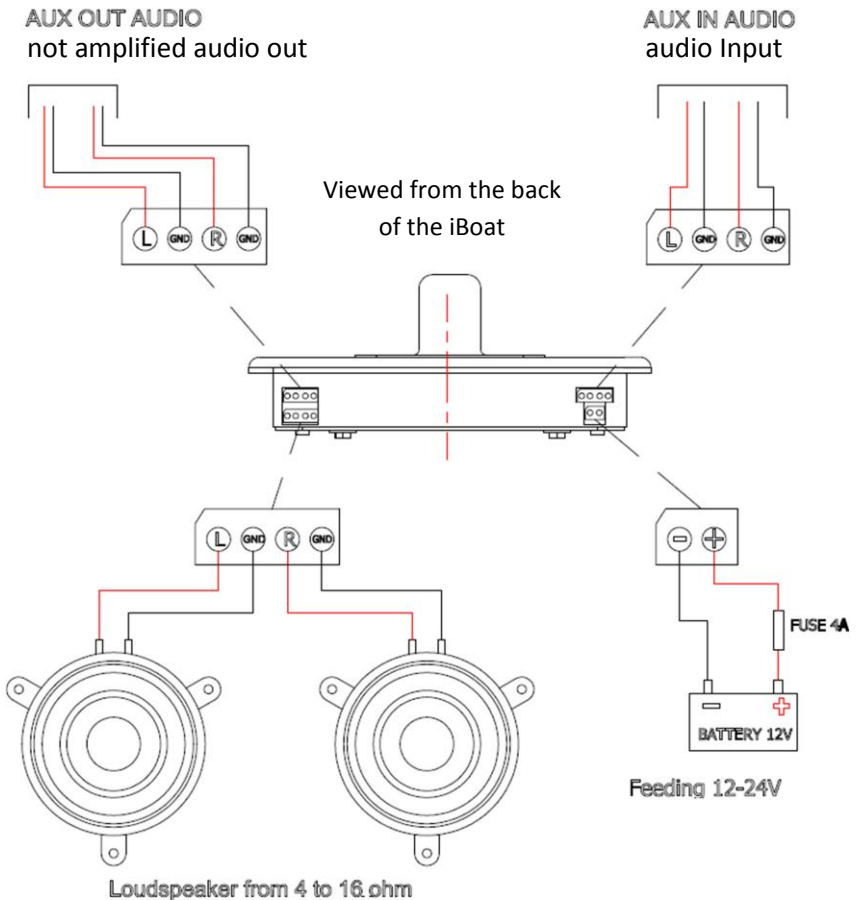
Amplified Docking Station for iPods[®]. Auxiliary Input available to accommodate direct audio input from other audio resources/media players. Vibration-proof design. Low power consumption. Can be connected directly to speakers and volume control can be managed independently from the iPod[®]. It can be interfaced with other audio systems and it can function as a in multi-room system when linked with other iBoat DHP docking station.

FEATURES

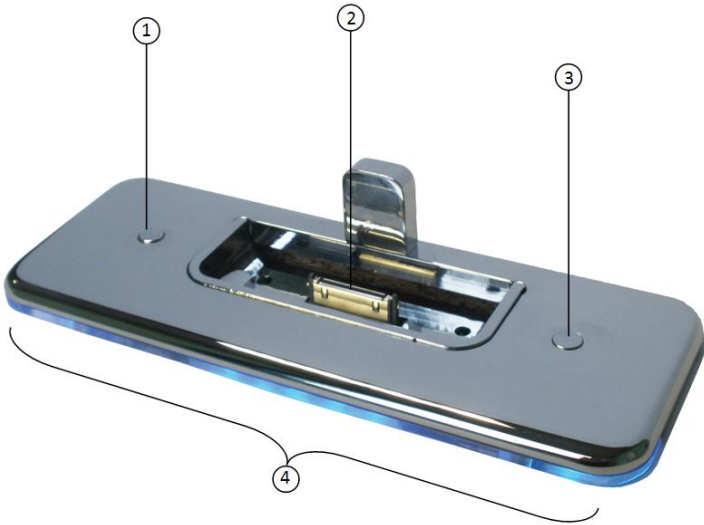
- Auto Power On/Off
- Reverse polarity and Overload protection circuitry
- Front LED lights for volume and balance indicators
- 1 AUX input
- 1 AUX output
- iPod[®] and iPhone[®] recharge capability

- In multi-room mode: the signal of one iPod® can be received in different rooms equipped with other iBoat DHP docking station.
- Cables included
- Speaker cables included
- iPod ® adapter cup included
- Available in chrome color only

INSTALLATION DIAGRAM



LOCATION OF CONTROLS



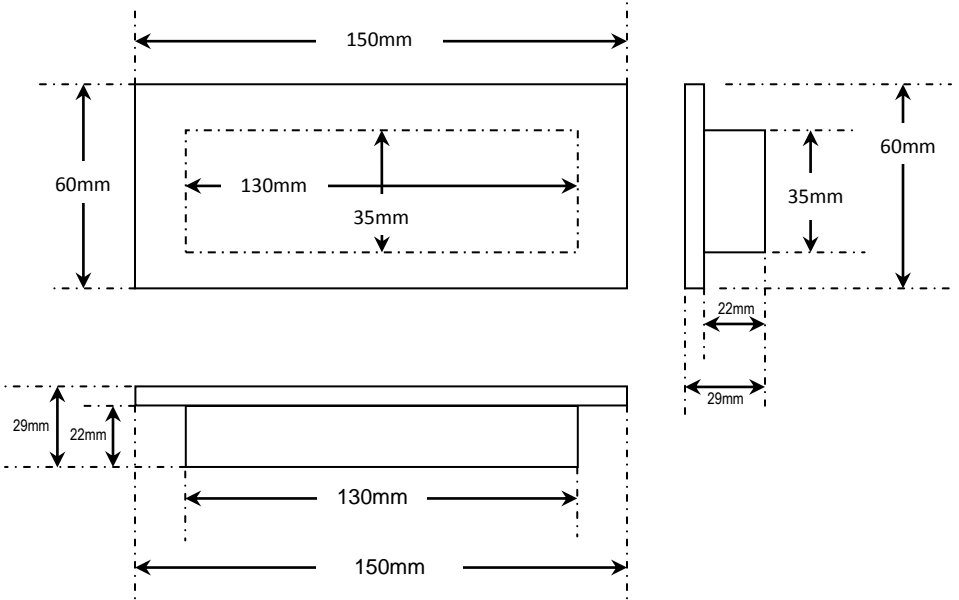
1. Volume UP/Balance Left
2. Docking Station
3. Volume DOWN/Balance Right
4. LED Lights – volume/balance indicator

OPERATION

- Turn on your iPod® then select a playlist or category list.
- Connect iPod® to the iBoat docking station. The iBoat will play tracks from a playlist or category automatically and continuously.
- Press and hold button (1) and (3) to switch from volume to balance control. To switch back to volume control, press and hold button (1) and (3) again.

- Press button (3) to increase volume or to fade to the right
- Press button (1) to decrease volume or to fade to the left
- iBoat will automatically turned off if idle for 90 seconds

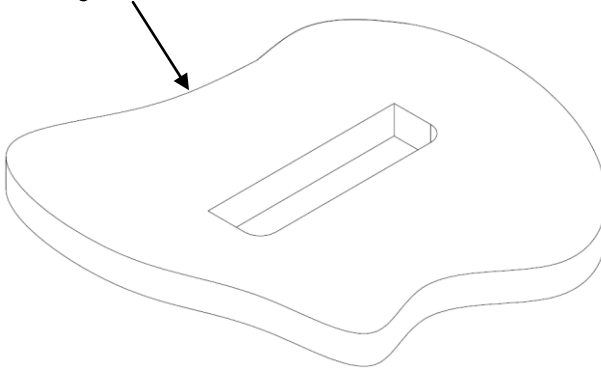
OVERALL DIMENSION



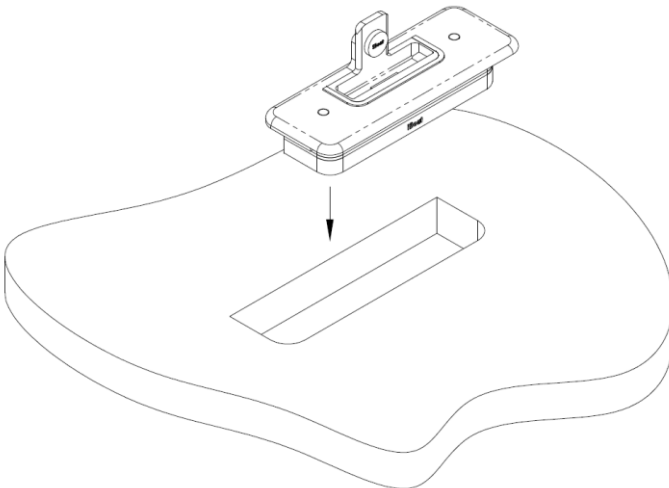
MOUNTING INSTRUCTION

1. Find a suitable location (preferably dry location, not exposed to water) making sure there is clearance for the installed depth. Use a saw or other suitable device to make a cutout.

mounting surface



2. Install iBoat_sm to the mounting surface. Use adhesive tape to secure the iBoat_sm to the surface.



SPECIFICATIONS

- Battery Supply DC = 8.5VDC(min)/17 VDC
- Idle Current = 5.5mA 12VDC LED off
- Maximum Rating Consumption (2 x 10W) = 1.66Amp 12VDC
- Maximum Volume Indicator = 5 LED
- Audio Output Impedance = 6 ohms up to 16 ohms
- Efficiency Percentage = 86% 8 ohms

MAINTENANCE

- Make sure iBoat will not to be exposed directly to any water or moisture
- Only clean iBoat with cloth dampened with water. Do not use any detergents or cleaning fluids
- Always use extra care when connecting or disconnecting your iPod®

WARRANTY INFORMATION

This unit is warranted to be free of defects in material and workmanship for a period of one year. Warranty is subject to proper installation and operation within the published specifications. Except as provided below, Poly-Planar will repair or replace at its discretion, any unit returned prepaid to our facility with proper documentation and determined to be defective in normal use. Poly-Planar is not liable for consequential damages

LIMITS OF LIABILITY

Proof of date of purchase is required for warranty service for this unit.

Poly-Planar will consider this warranty void if unit has been tampered. Poly-Planar warranty does not cover damage occurred in transit, accident, abuse, misuse, negligence, fire, flood, lightning or unauthorized service. This warranty assumes no responsibility for damages incurred during installation of this equipment. This warranty does not cover labor costs for removal of defective unit or reinstallation of replacement unit. This warranty covers normal consumer use only. In no event shall Poly-Planar be liable for special, incidental, or consequential damages.

To obtain service under this warranty, please call Poly-Planar for a **RETURN AUTHORIZATION NUMBER**. After a return authorization number is issued, return unit with proof of purchase and a letter stating your return address, daytime phone number and detail description of the problem or malfunction.

poly-planar, inc.

Maryland USA

(410) 761-4000

www.polyplanar.com

