

INSTALLATION INSTRUCTIONS

REV 4.1

1) PRECAUTIONS:

1. Read these instructions carefully before installation.
2. This unit is designed to operate in a 12 Volt DC, negative ground system
3. Be sure to disconnect the battery during wiring to eliminate the risk of short circuit.
4. Unit should be installed within 30 degrees of horizontal.
5. Choose a mounting location which minimizes the exposure to direct water splashes, rain, or spilling beverages.
6. Consult your boat manufacturer before drilling or cutting in critical areas.

2) INSTALLATION:

1. Using the included adhesive mounting template, cut out the rectangular gray area and drill the 6 holes as indicated.
2. Be sure to leave adequate clearance at the bottom for the opening of the front panel.

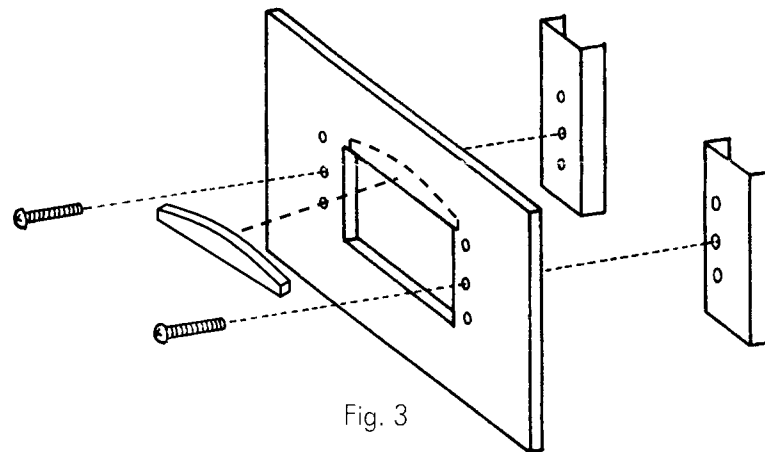
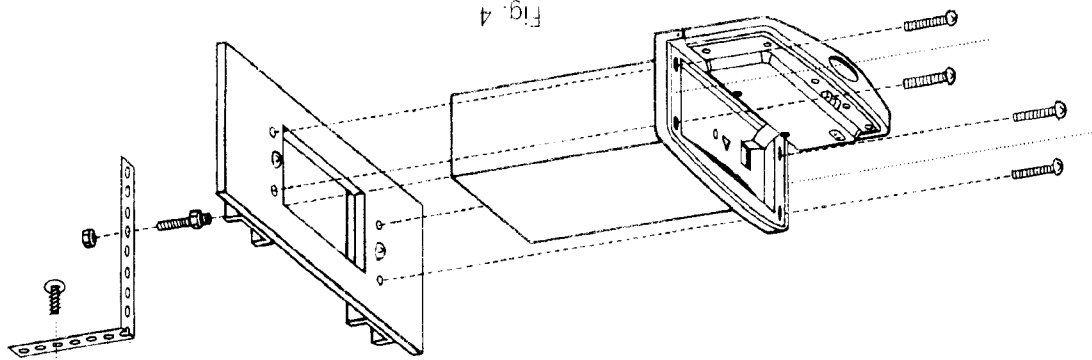


Fig. 3

3. Using 2 of the supplied screws, attach the left and right panel brackets on the rear side of the mounting panel as shown in Figure 3. Be sure that the panel bracket is oriented such that it does not overlap into the rectangular opening.
4. Apply the adhesive Foam Sealing Strip along the upper edge of the rectangular opening such that the bottom edge of the foam is flush with the opening.
5. In case of mounting in tight spaces the length of the panel brackets can be trimmed using a hack saw.



3) WIRE CONNECTIONS:

1. Wire the harness connector to the boat making connections as indicated in the figure located on top of the main stereo chassis. Be sure to observe all polarity markings on power as well as loudspeaker connections.
2. Because this is a high-power unit, ample gauge wire is especially critical for ACC +12 and GROUND wires. No smaller than 16 Gauge should be used when the distance from the unit to the battery is less than 4 meters (12 feet). For greater distances 14 gauge or better should be used.
3. It is important that the red ACC+12 wire is connected to the boat's Main Control Panel ACC switch. This ACC circuit should always be switched off when leaving the boat in order to minimize battery drain.
4. The yellow Memory +12 wire should be connected to a circuit that is always powered in order to preserve station memory.
5. In case the unit is accidentally connected in reverse to the power supply, the main power fuse (red wire) will blow. Be sure to replace this fuse only with a 10 Amp version.
6. The blue wire can be used to remote trigger an external amplifier. It should not drive more than 50 mA current.

Antenna Connector:

The antenna connector is designed for standard automotive style 75 ohm antenna cable. For proper reception an antenna should be used that does not rely upon a metal ground plane (most automotive versions.) Use a special marine or dipole version for best results.

CD Changer Connector:

The CD changer is supplied with a DIN cable for connection. When installing a CD Changer remove the protective plug from the Stereo before connecting the cable.

Audio Expansion Port:

The Expansion Port connector is for use with various accessories that are available for the Marine Audio Center. Leave the protective tape in place until the connector is to be used.